



Facet filter housings are specifically designed to remove solid particles such as rust, dirt, pipe scale, sand and metal from fuel. They are commonly located ahead of clay treaters and coalescer separators to protect and prolong cartridge life. A single pass through the filter allows clean product to flow downstream.

Facet filter housings will continuously remove solids from fuel when used with Facet standard single, double or triple-length FA, M OR CIF Series high efficiency filter cartridges. Housings are designed for easy servicing and low maintenance. All are built to ASME Code, Section VIII, with many standard and optional accessories and connections available to facilitate individual installation requirements. Facet filters provide a complete system to meet industry standards and levels of effluent purity required by commercial airlines, major oil companies and governments, worldwide.

M Series filter housings use any of Facet's high efficiency filter cartridges. A single pass of product through the system removes solids such as rust, dirt, scale, granules and other particles commonly found in liquid process streams.

M Series filter housings are available in three styles and in several standard sizes to accommodate specific flow and filtration requirements. They are designed with no internal moving parts to provide easy service and reduced maintenance costs. Each housing is manufactured using quality materials and workmanship to give long-lasting, dependable service.

M Series filter housings can be fitted with either multiple single-length cartridges, stacked 1, 2 or 3 high or their double-length or triple-length equivalents.

### Standard Housing Design

- EI 1596 Design & Construction or applicable design code
- Body: Welded carbon steel construction other materials available on request
- ASME Code, Section VIII construction, stamped and certified
- Designed for 150 psi @ 250°F—higher pressure and temperature ratings available on request
- Head closures: Style A —thru-bolt; Styles B and C —swing bolt
- Buna-N closure gasket —other materials available on request
- Rod mount cartridge hardware
- Knife edge cartridge mounting seals
- Headlift furnished on 20" (508 mm) and larger
- Inlet and outlet permanently marked
- Exterior: Prime coated
- Interior: Epoxy coated (EI 1541)

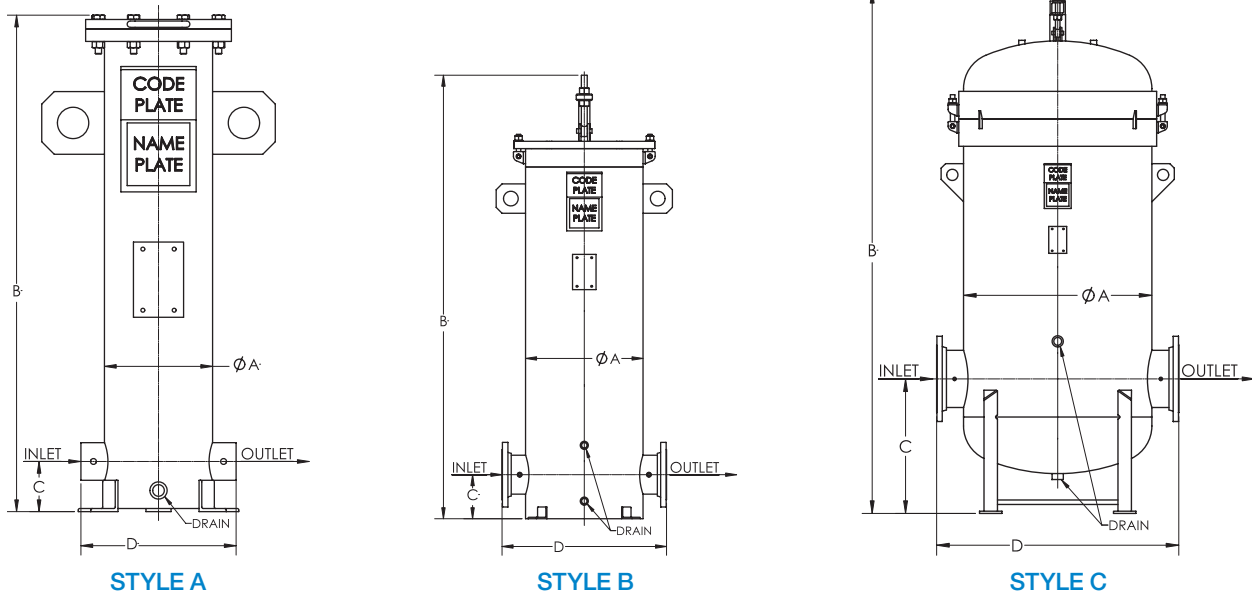
### Standard Connections

- Inlet and outlet: Style A —3000# NPT; Style B and C —150# RF (ANSI) flanged
- Side and bottom drain: 3000# NPT
- Vent and relief valve: ¾" 3000# NPT
- Pressure gauge: ¼" 3000# NPT

### Options

- Automatic air eliminator
- Automatic air eliminator check valve
- Differential pressure gauge
- Pressure relief valve
- Manual drain valve

# M Series Filter Housings



## DATA

| MODEL NUMBER | MAXIMUM FLOW RATE |       | CONNECTIONS  |     |            |     |              |    | ANCHOR BOLT PLAN   |    |             |      |                   | WEIGHT WITH CARTRIDGES |      |
|--------------|-------------------|-------|--------------|-----|------------|-----|--------------|----|--------------------|----|-------------|------|-------------------|------------------------|------|
|              |                   |       | INLET/OUTLET |     | SIDE DRAIN |     | BOTTOM DRAIN |    | BOLT HOLE DIAMETER |    | BOLT CIRCLE |      | NO. OF BOLT HOLES |                        |      |
|              |                   |       | in           | mm  | in         | mm  | in           | mm | mm                 | in | mm          | in   |                   |                        |      |
| 1M-114       | 66                | 250   | 2            | 51  | N/A        | N/A | 3/4          | 19 | 7/8                | 22 | 11 5/8      | 295  | 3                 | 110                    | 50   |
| 1M-214       | 133               | 503   | 2            | 51  | N/A        | N/A | 3/4          | 19 | 7/8                | 22 | 11 5/8      | 295  | 3                 | 140                    | 64   |
| 1M-314       | 200               | 757   | 2            | 51  | N/A        | N/A | 3/4          | 19 | 7/8                | 22 | 11 5/8      | 295  | 3                 | 160                    | 73   |
| 2M-314       | 400               | 1514  | 4            | 102 | 3/4        | 19  | 3/4          | 19 | 7/8                | 22 | 17          | 432  | 4                 | 450                    | 204  |
| 3M-314       | 600               | 2271  | 4            | 102 | 3/4        | 19  | 3/4          | 19 | 7/8                | 22 | 19          | 483  | 4                 | 525                    | 238  |
| 4M-314       | 800               | 3028  | 6            | 152 | 3/4        | 19  | 3/4          | 19 | 7/8                | 22 | 21          | 533  | 4                 | 650                    | 295  |
| 6M-314       | 1200              | 4542  | 6            | 152 | 3/4        | 19  | 3/4          | 19 | 7/8                | 22 | 23          | 584  | 4                 | 775                    | 352  |
| 11M-314      | 2200              | 8328  | 8            | 203 | 1 1/2      | 38  | 1            | 25 | 7/8                | 22 | 24 5/8      | 625  | 4                 | 1225                   | 556  |
| 18M-314      | 3600              | 13627 | 10           | 254 | 1 1/2      | 38  | 1            | 25 | 7/8                | 22 | 31 3/8      | 797  | 4                 | 1950                   | 885  |
| 27M-314      | 5400              | 20441 | 12           | 305 | 1 1/2      | 38  | 1 1/2        | 38 | 1                  | 25 | 39 3/8      | 1000 | 4                 | 2700                   | 1225 |

Other sizes available on request.

## DIMENSIONS

| MODEL NUMBER | DIMENSIONS |      |         |      |       |     |        |      | HOUSING LIQUID VOLUME |      | HOUSING TYPE     |
|--------------|------------|------|---------|------|-------|-----|--------|------|-----------------------|------|------------------|
|              | A          |      | B       |      | C     |     | D      |      | gal                   | ltr  |                  |
|              | in         | mm   | in      | mm   | in    | mm  | in     | mm   |                       |      |                  |
| 1M-114       | 8 5/8      | 219  | 24 1/4  | 616  | 4     | 102 | 12 3/8 | 314  | 5                     | 19   | Style A - Flat   |
| 1M-214*      | 8 5/8      | 219  | 39 1/2  | 1003 | 4     | 102 | 12 3/8 | 314  | 9                     | 34   | Style A - Flat   |
| 1M-314*      | 8 5/8      | 219  | 54 1/2  | 1378 | 4     | 102 | 12 3/8 | 314  | 12                    | 45   | Style A - Flat   |
| 2M-314*      | 14         | 355  | 72 3/4  | 1848 | 6     | 152 | 22     | 559  | 36                    | 136  | Style B - Flat   |
| 3M-314*      | 16         | 406  | 72 3/4  | 1848 | 6     | 152 | 24     | 610  | 48                    | 182  | Style B - Flat   |
| 4M-314*      | 18         | 457  | 75 1/4  | 1911 | 7 1/2 | 191 | 26     | 660  | 63                    | 238  | Style B - Flat   |
| 6M-314*      | 20         | 508  | 75 1/2  | 1918 | 7 1/2 | 191 | 28     | 711  | 78                    | 295  | Style B - Flat   |
| 11M-314      | 28         | 711  | 103 1/4 | 2623 | 24    | 610 | 36     | 914  | 205                   | 776  | Style C - Dished |
| 18M-314      | 34         | 864  | 109 1/2 | 2781 | 27    | 686 | 46     | 1168 | 315                   | 1192 | Style C - Dished |
| 27M-314      | 42         | 1067 | 116 3/4 | 2965 | 30    | 762 | 54     | 1371 | 520                   | 1968 | Style C - Dished |

### NOTES:

- Cartridges are selected separately to fit specific application requirements.
- Multiple stack cartridges should be replaced with one single-length equivalent. For example: 1M-214 = 1M-128 or 6M-314 = 6M-143, etc.
- Consult factory for flow rates when using El 1590 Qualified Elements.

All dimensions, weights and volumes are approximate and are for estimating purposes only.

\* These models do not comply with El 1596 specs. Please contact your nearest Facet location for further information.